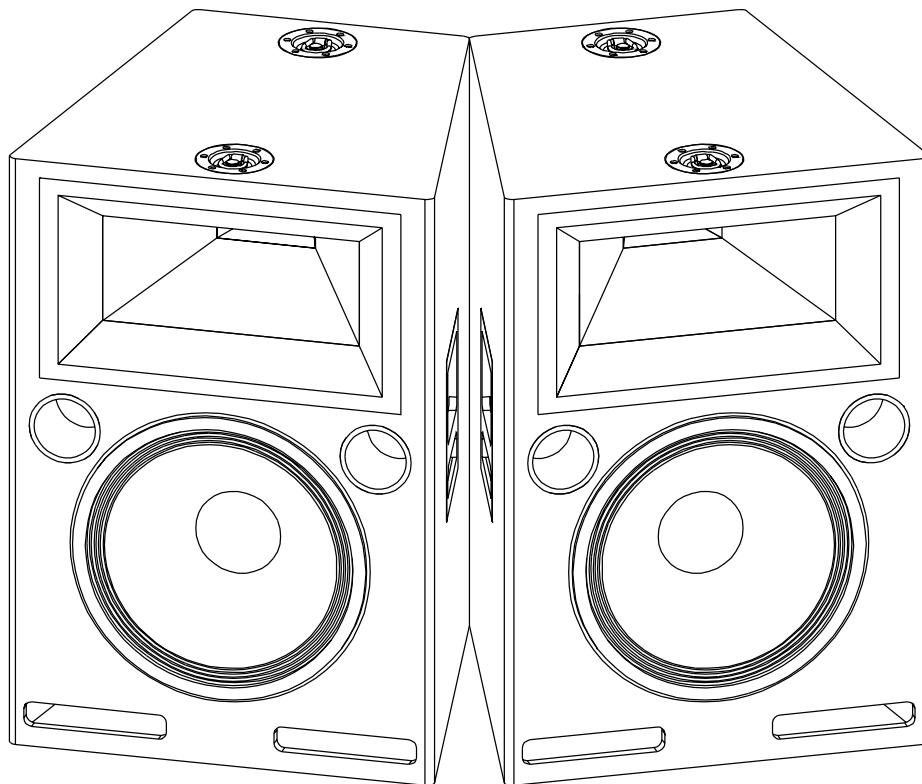
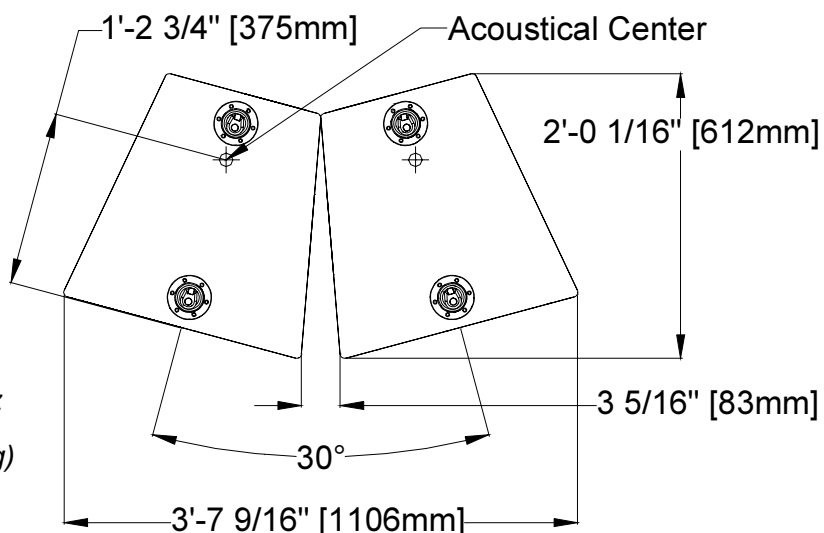


(2) CQ-2's @ 30° Horizontal Splay



<i>Array Coverage and SPL</i>	
Coverage:	
Vertical	40°
Horizontal	70°
Maximum SPL at 1 Meter:	
Peak	141 dB



Base Specifications

Frequency Range (Free Field) 40 Hz to 18 kHz

Weight (Before Rigging) 260 lbs. (117.2 kg)

Measurement Notes:

Frequency range constitutes the usable bandwidth after on-axis normalization. Coverage angles measured as the -6 dB (1/4 power) points from the normalized on-axis frequency response averaged over the band from 125 to 8k Hz. All measurements made at 4 meters in an anechoic chamber using the Multi-purpose Acoustic Prediction Program (M.A.P.P.)® at 1/36 octave bands and confirmed at 8 meters outside using pink noise and measured in 1/24 octave bands with SIM® System II.

Date: 11.19.97 | Doc #: 01.990.101.66 | Rev. A



2832 San Pablo Ave
Berkeley, CA 94702
Phone: (510) 486-1166
Fax: (510) 486-8356
email: tech@msli.com