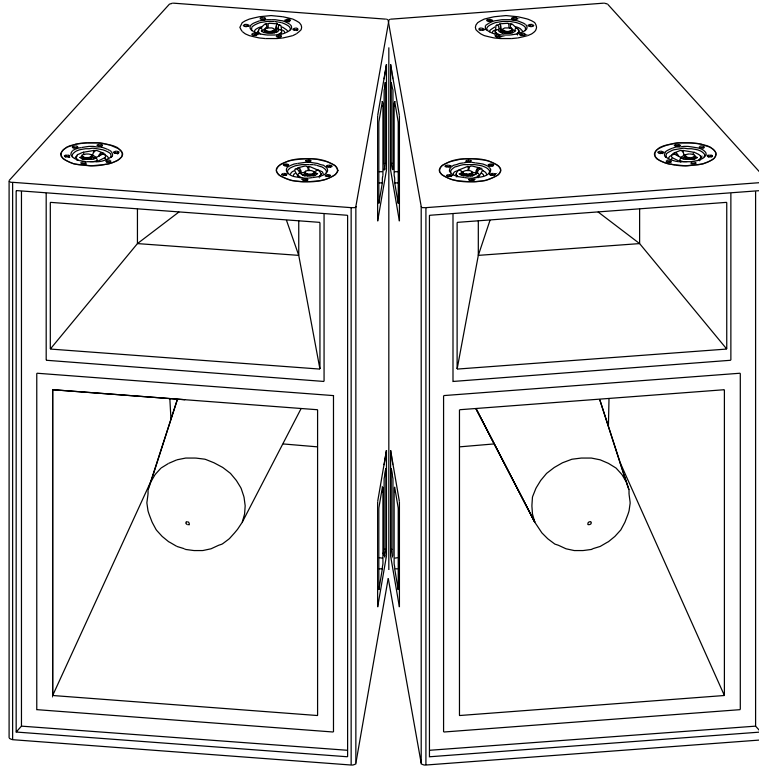
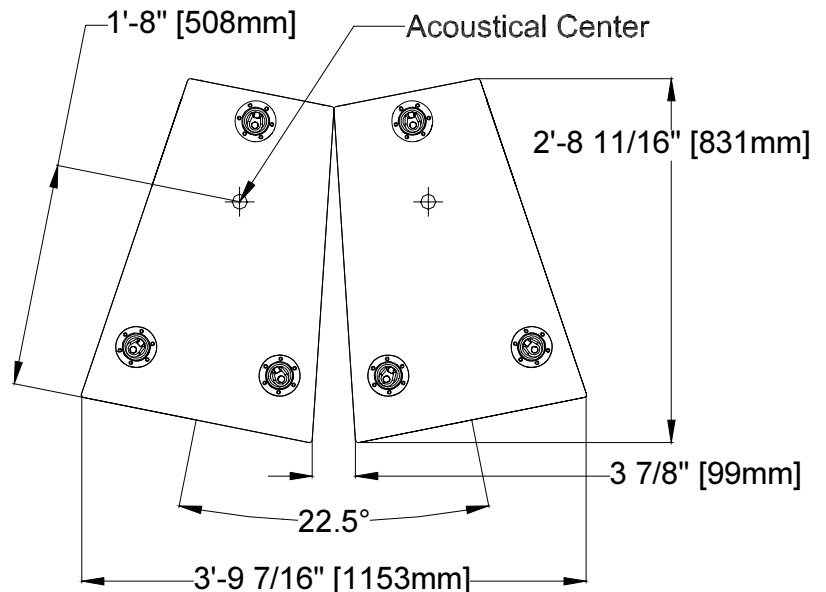


(2) MSL-4's @ 22.5° Horizontal Splay



| Array Coverage and SPL | |
|-------------------------|--------|
| Coverage: | |
| Vertical | 35° |
| Horizontal | 52° |
| Maximum SPL at 1 Meter: | |
| Peak | 143 dB |



Base Specifications

Frequency Range (Free Field) 65 Hz to 18 kHz

Weight (Before Rigging) 360 lbs. (164 kg)

Measurement Notes:

Frequency range constitutes the usable bandwidth after on-axis normalization. Coverage angles measured as the -6 dB (1/4 power) points from the normalized on-axis frequency response averaged over the band from 125 to 8k Hz. All measurements made at 4 meters in an anechoic chamber using the Multi-purpose Acoustic Prediction Program (M.A.P.P.)® at 1/36 octave bands and confirmed at 8 meters outside using pink noise and measured in 1/24 octave bands with SIM® System II.

Date: 11.19.97 Doc #: 01.990.101.50 Rev.A



2832 San Pablo Ave
Berkeley, CA 94702
Phone: (510) 486-1166
Fax: (510) 486-8356
email: tech@msli.com