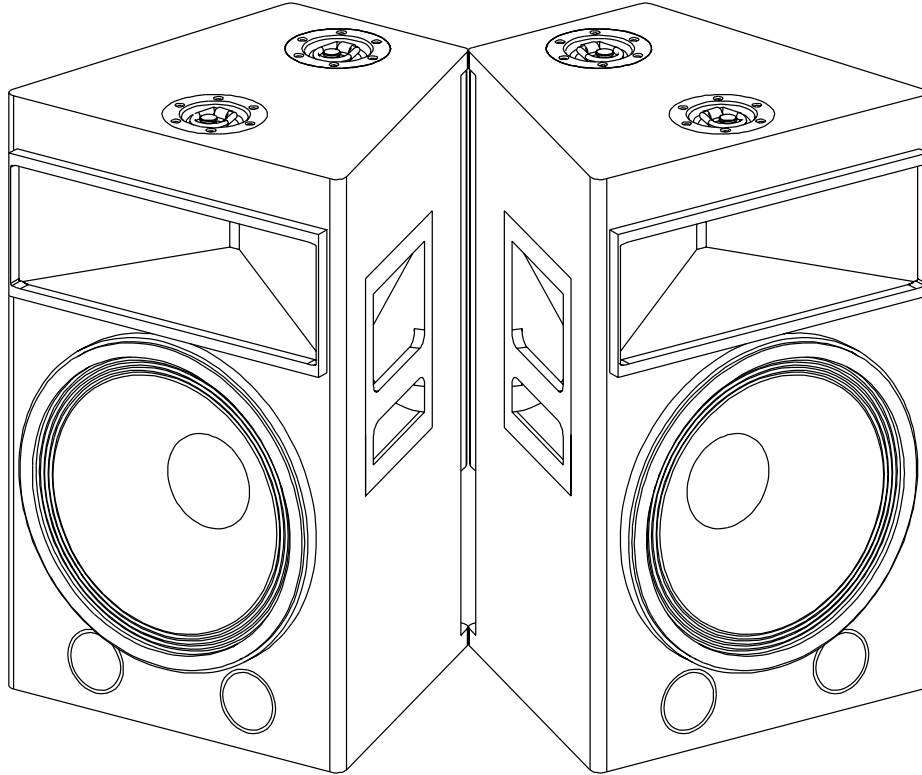
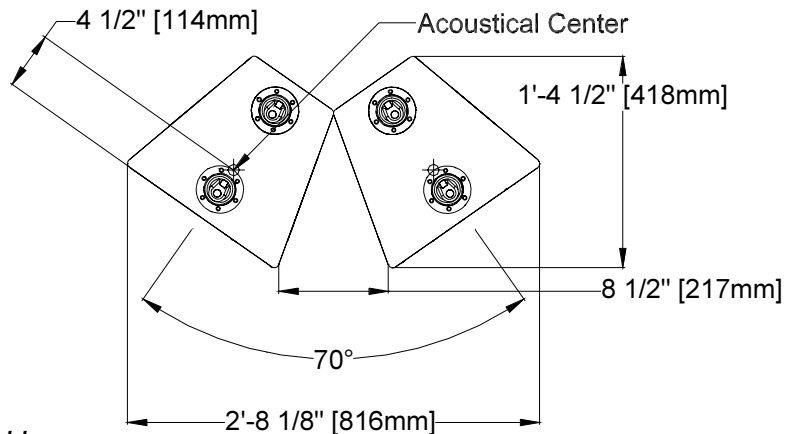




## (2) UPA-1P's @ 70° Horizontal Splay



<i>Array Coverage and SPL</i>	
Coverage:	
Vertical	40°
Horizontal	160°
Maximum SPL at 1 Meter:	
Peak	134 dB



### *Base Specifications*

*Frequency Range (Free Field) 60 Hz to 18 kHz*

*Weight (Before Rigging) 154 lbs. (70 kg)*

### **Measurement Notes:**

*Frequency range constitutes the usable bandwidth after on-axis normalization. Coverage angles measured as the -6 dB (1/4 power) points from the normalized on-axis frequency response averaged over the band from 125 to 8k Hz. All measurements made at 4 meters in an anechoic chamber using the Multi-purpose Acoustic Prediction Program (M.A.P.P.)® at 1/36 octave bands and confirmed at 8 meters outside using pink noise and measured in 1/24 octave bands with SIM® System II.*

**\*NOTE:** *This configuration will provide a relatively flat frequency response.*

Date: 11.19.97 | Doc #: 01.990.101.90 | Rev.A



2832 San Pablo Ave  
Berkeley, CA 94702  
Phone: (510) 486-1166  
Fax: (510) 486-8356  
email: tech@msli.com

© Copyright 1997. All rights reserved.