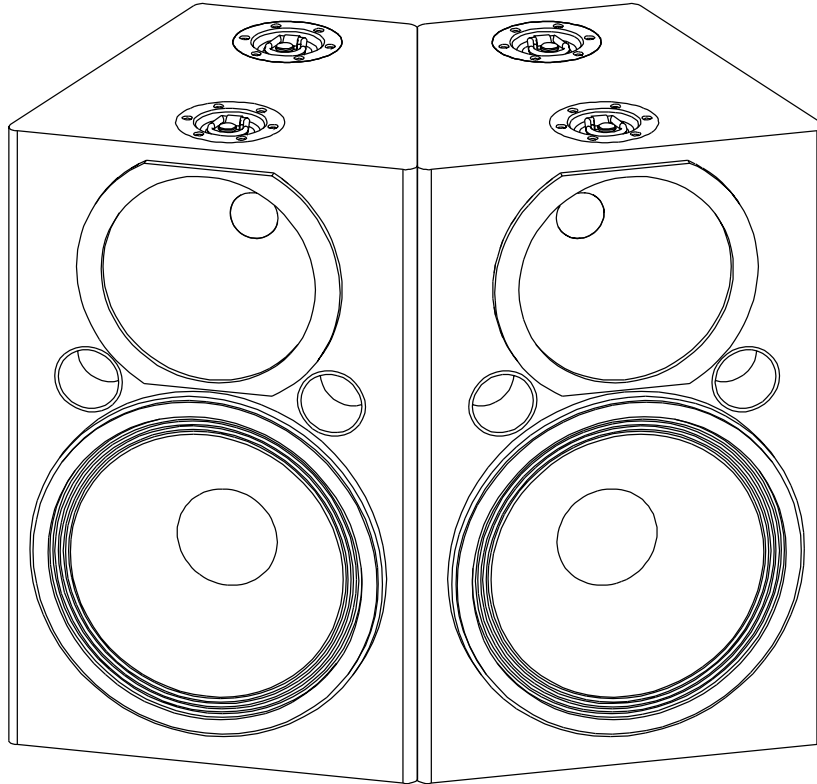
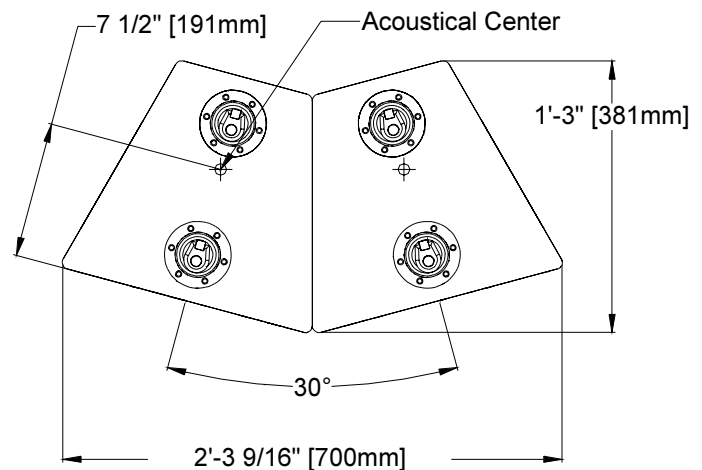




## (2) UPA-2P's Tightpack



<i>Array Coverage and SPL</i>	
Coverage:	
Vertical	45°
Horizontal	60°
Maximum SPL at 1 Meter:	
Peak	138 dB



### **Base Specifications**

Frequency Range (Free Field) 60 Hz to 18 kHz

Weight (Before Rigging) 154 lbs. (70 kg)

### **Measurement Notes:**

Frequency range constitutes the usable bandwidth after on-axis normalization. Coverage angles measured as the -6 dB (1/4 power) points from the normalized on-axis frequency response averaged over the band from 125 to 8k Hz. All measurements made at 4 meters in an anechoic chamber using the Multi-purpose Acoustic Prediction Program (M.A.P.P.)® at 1/36 octave bands.

Date: 11.19.97	Doc #: 01.990.101.92	Rev.A
----------------	----------------------	-------



2832 San Pablo Ave  
 Berkeley, CA 94702  
 Phone: (510) 486-1166  
 Fax: (510) 486-8356  
 email: tech@msli.com