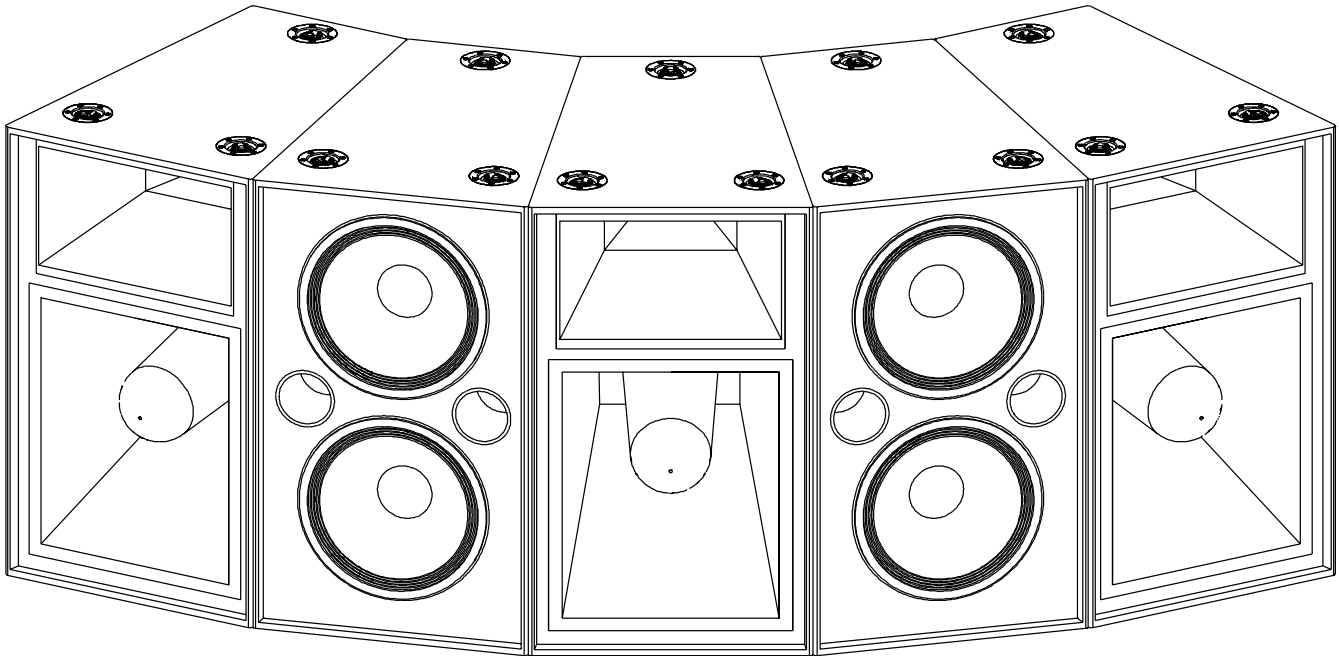
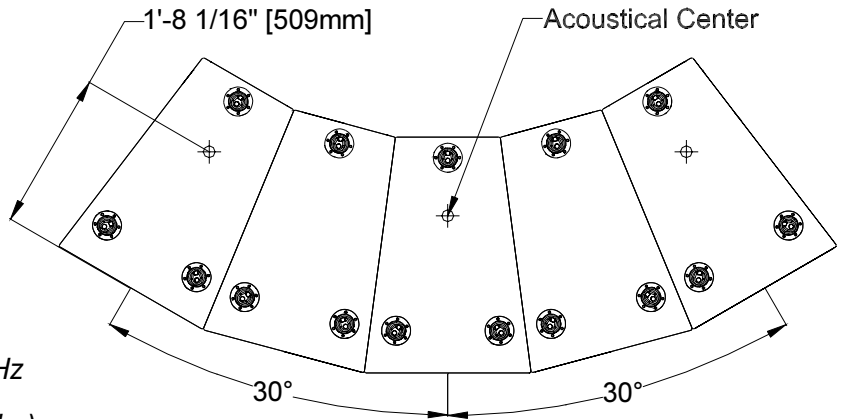


## (3) MSL-4's (2) PSW-2 Tightpack



Array Coverage and SPL	
Coverage:	
Vertical	35°
Horizontal	100°
Maximum SPL at 1 Meter:	
Peak	144 dB



### Base Specifications

Frequency Range (Half Space) 40 Hz to 18 kHz

Weight (Before Rigging) 864 lbs. (392.7 kg)

### Measurement Notes:

Frequency range constitutes the usable bandwidth after on-axis normalization. Coverage angles measured as the -6 dB (1/4 power) points from the normalized on-axis frequency response averaged over the band from 125 to 8k Hz. All measurements made at 4 meters in an anechoic chamber using the Multi-purpose Acoustic Prediction Program (M.A.P.P.)® at 1/36 octave bands and confirmed at 8 meters outside using pink noise and measured in 1/24 octave bands with SIM® System II.

Date: 10.31.97 | Doc #: 01.990.101.81 | Rev.A



2832 San Pablo Ave  
Berkeley, CA 94702  
Phone: (510) 486-1166  
Fax: (510) 486-8356  
email: tech@msli.com